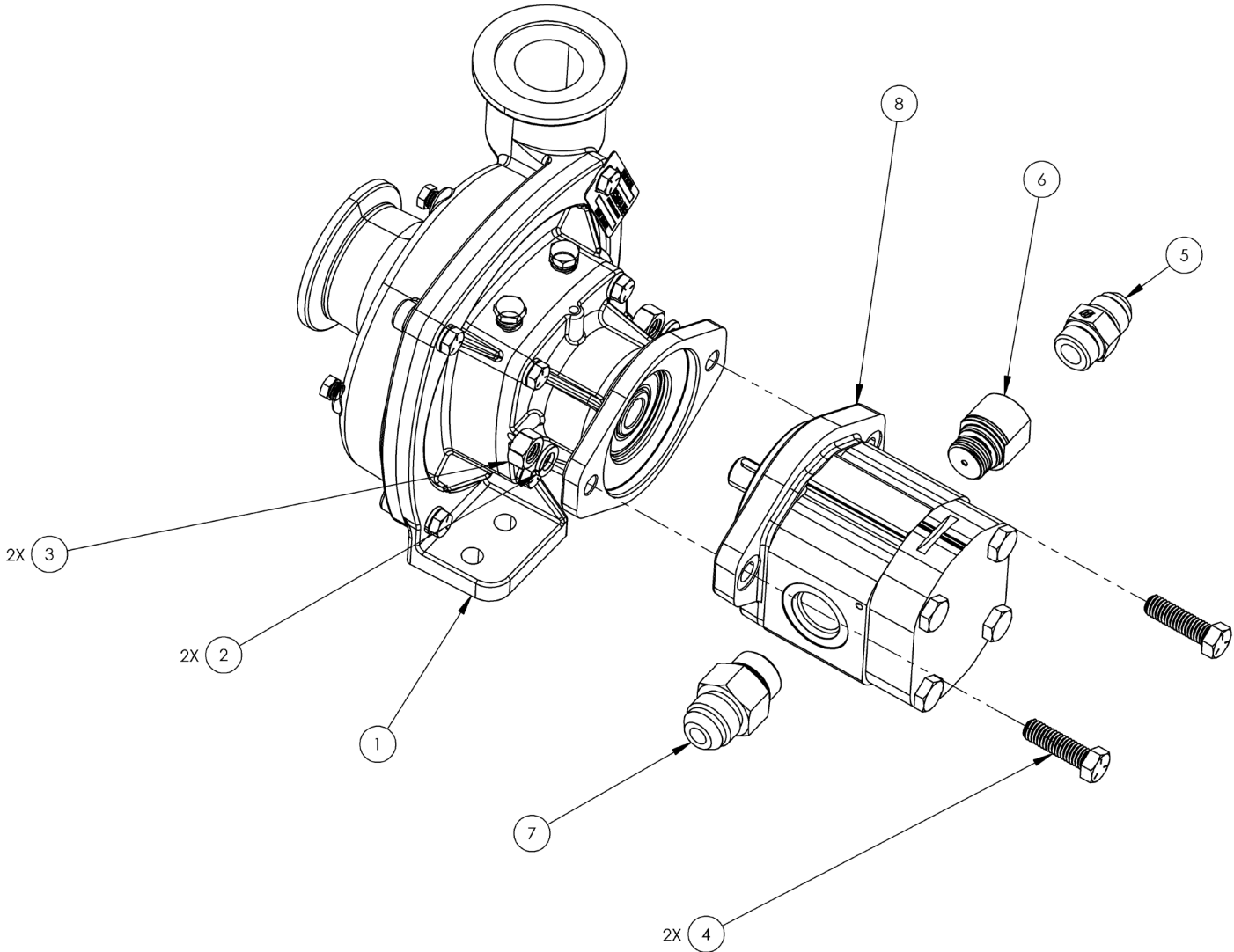


P/N: CS-150-HA12



ITEM NO.	PART NUMBER	DESCRIPTION	QTY.
1	CS-150-HA	1-1/2" X 1-1/4" SPRAY CENTRIF, HYD - SAE-A FLG	1
2	93026	3/8 LOCK WASHER, PLATED	2
3	92028	7/16-14 HEX NUT, PLATED	2
4	90938	7/16-14 X 1-1/2 HHMB - STAINLESS	2
5	116803-01	HYD FITTING, -10MORB, -10MJIC, PLATED	1
6	116800-91	HYDRAULIC ORIFICE ASSY, .104 INCH THRU HOLE	1
7	116793-01	CHECK VALVE -12ORB / -12JICM	1
8	116792-01	HYDRAULIC MOTOR, 9.6CC, CW ROTATION	1